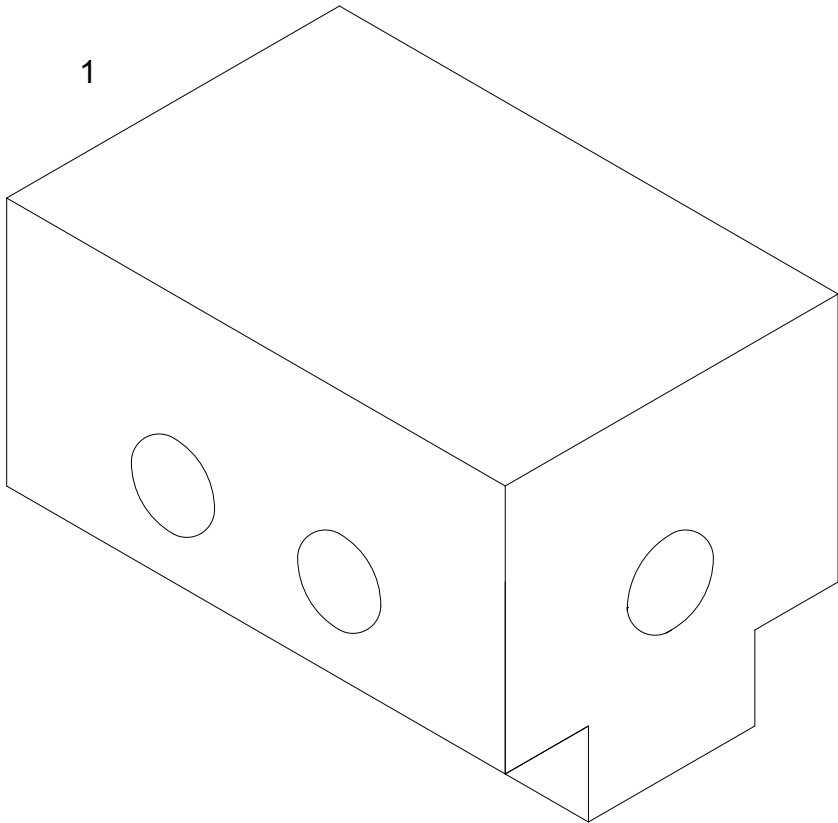
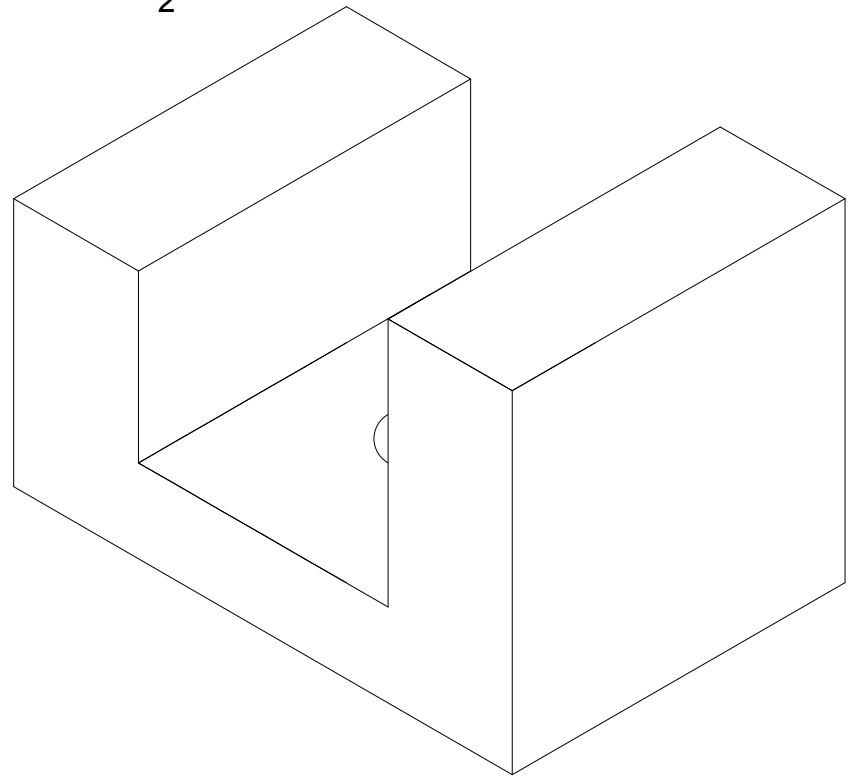


1



2



STEVENSON HIGH SCHOOL

TECHNOLOGY EDUCATION DEPARTMENT
TECHNICAL DRAWING PROGRAM

DRN BY: DANIEL STEIN

DATE: 11/7/11

SCALE: 1:1

1

1